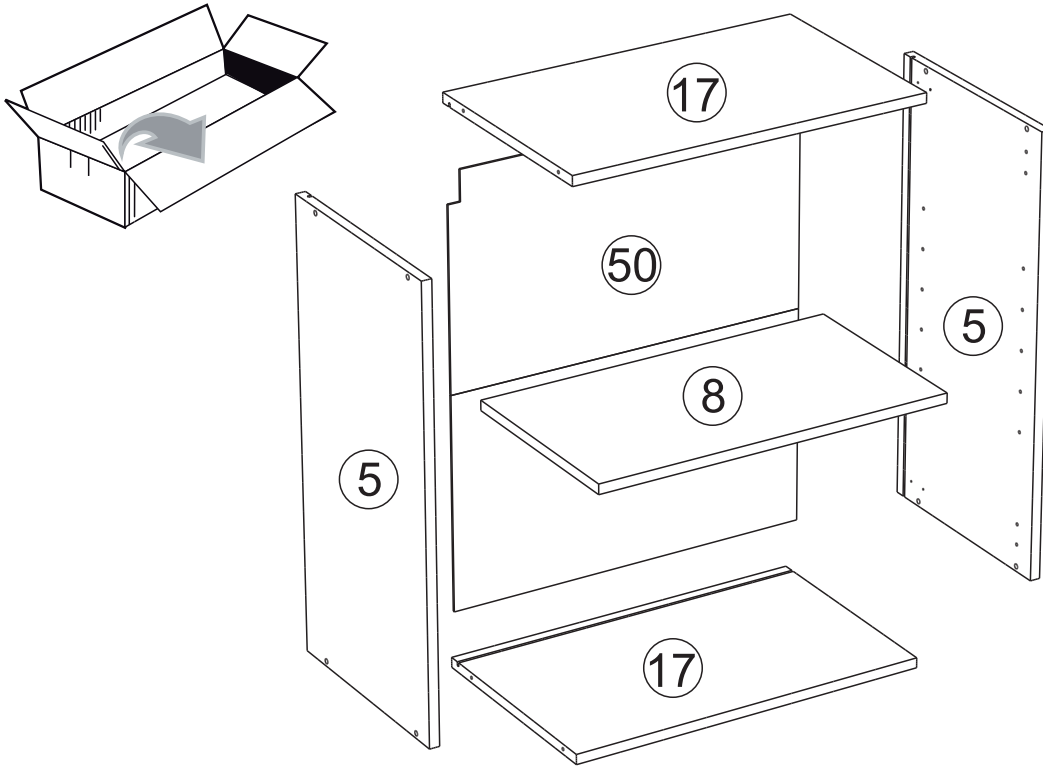


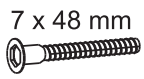
- H20/70 H30/70 H40/70  
H45/70 H50/70 H60/70  
H80/70





# N° 314

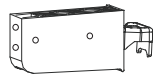
A x8



B x8



C x1



D x1



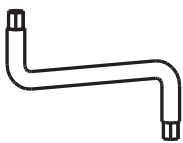
E x4



F x2



G x1



H x8



I x4

